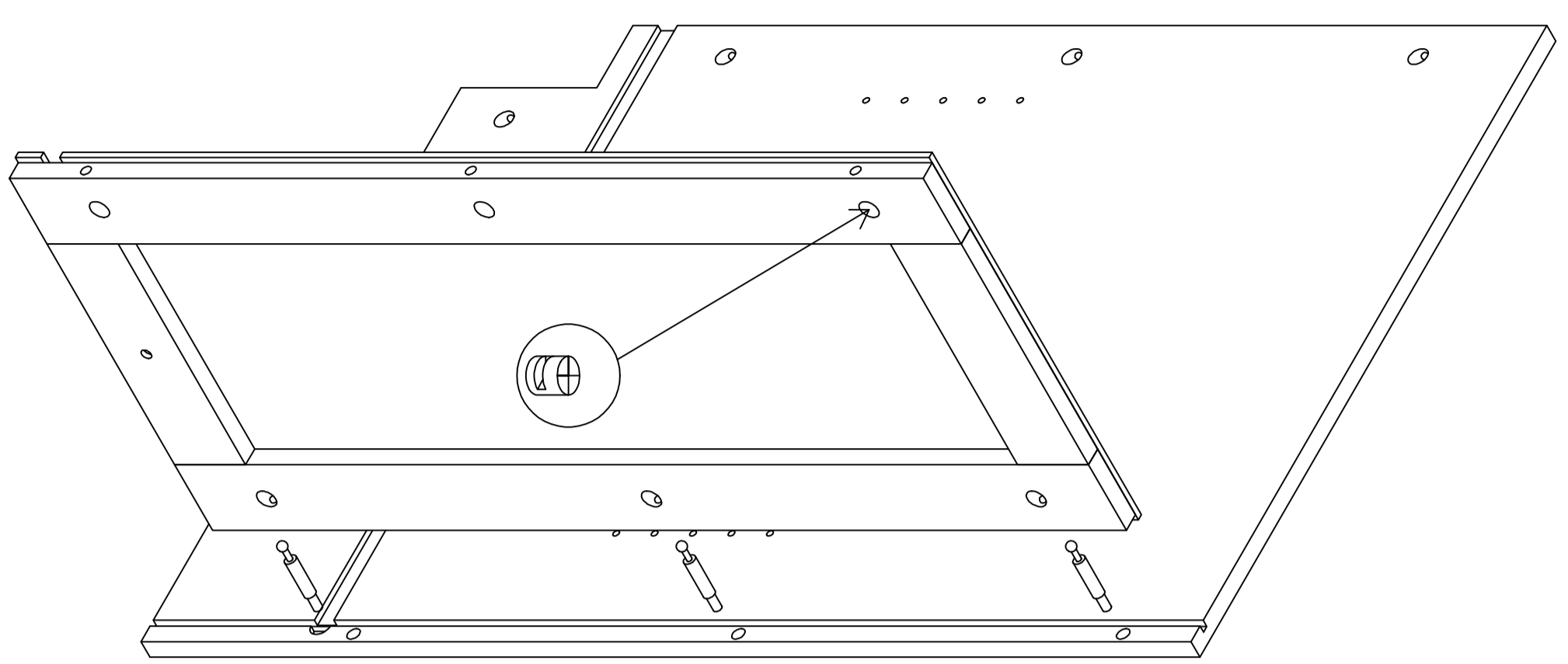
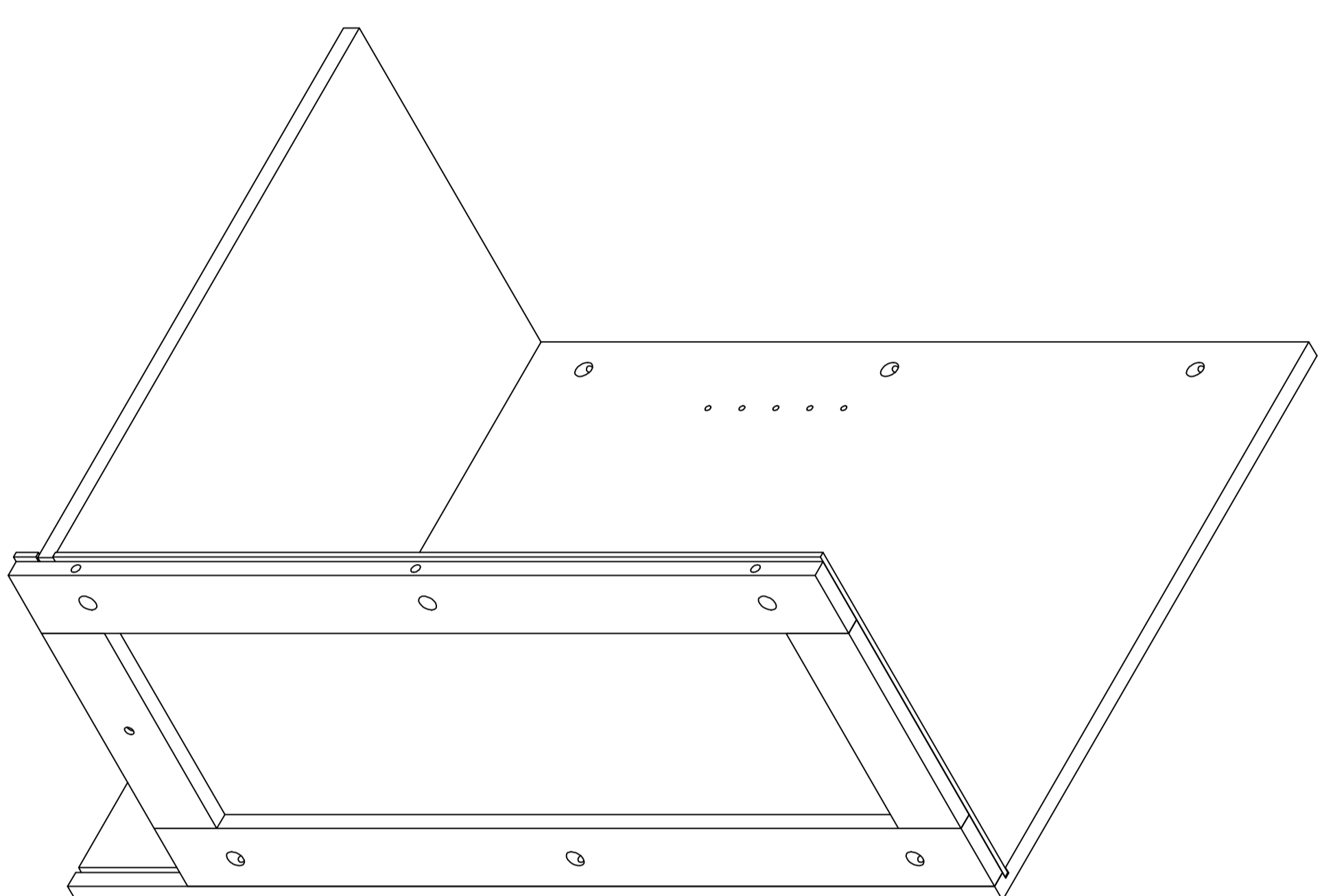


# ASSEMBLY INSTRUCTION

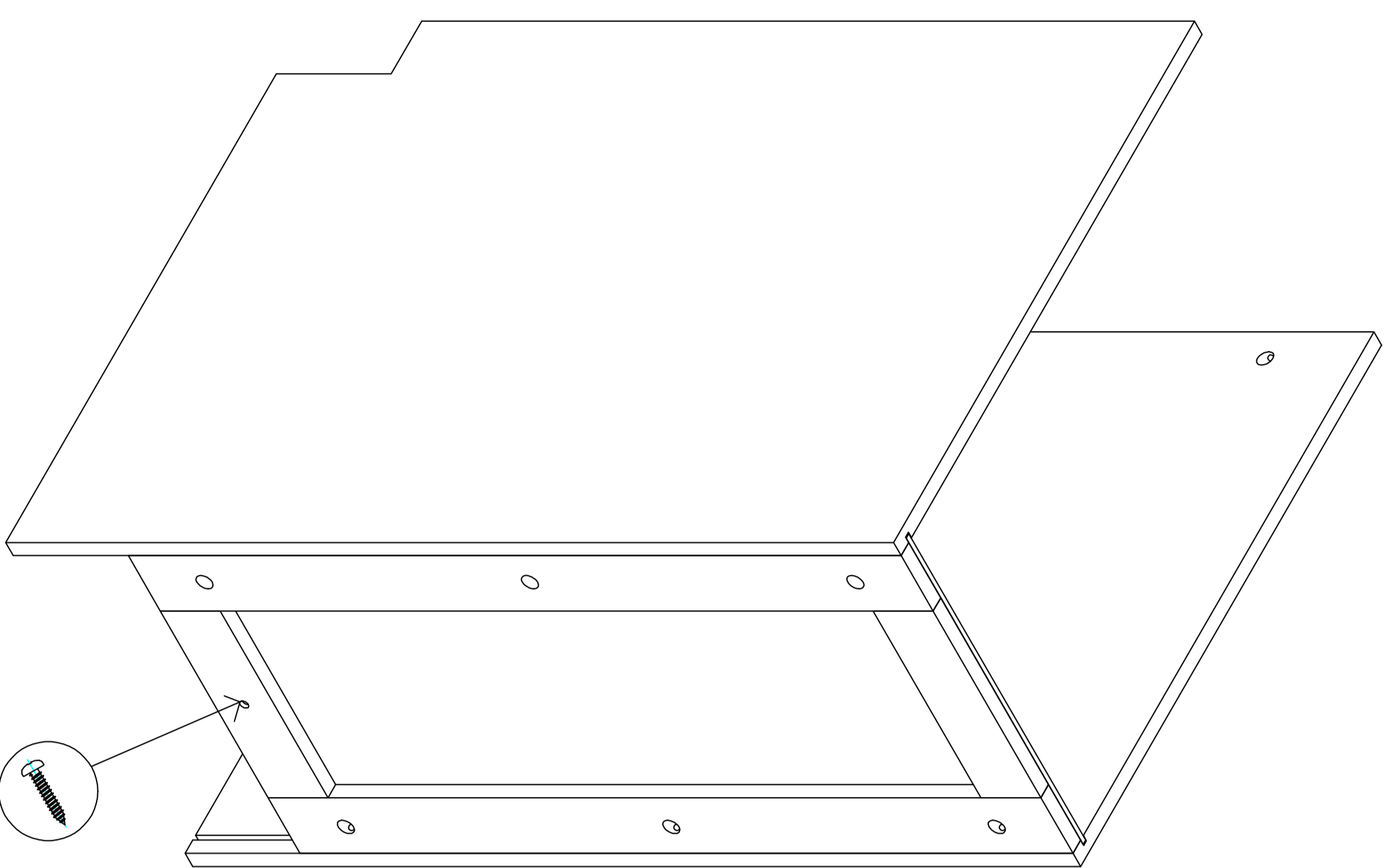
## B (09-21)



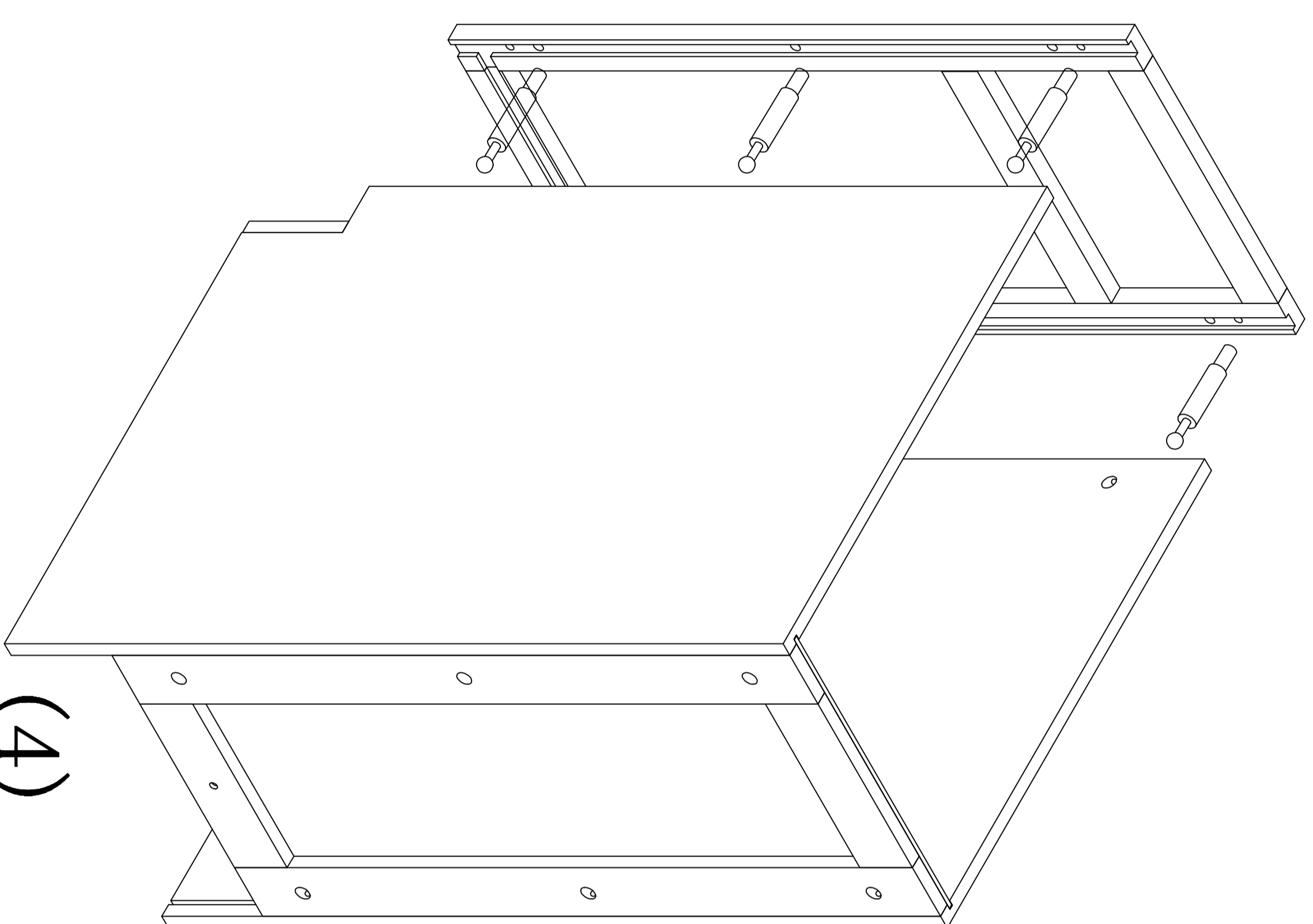
(1)



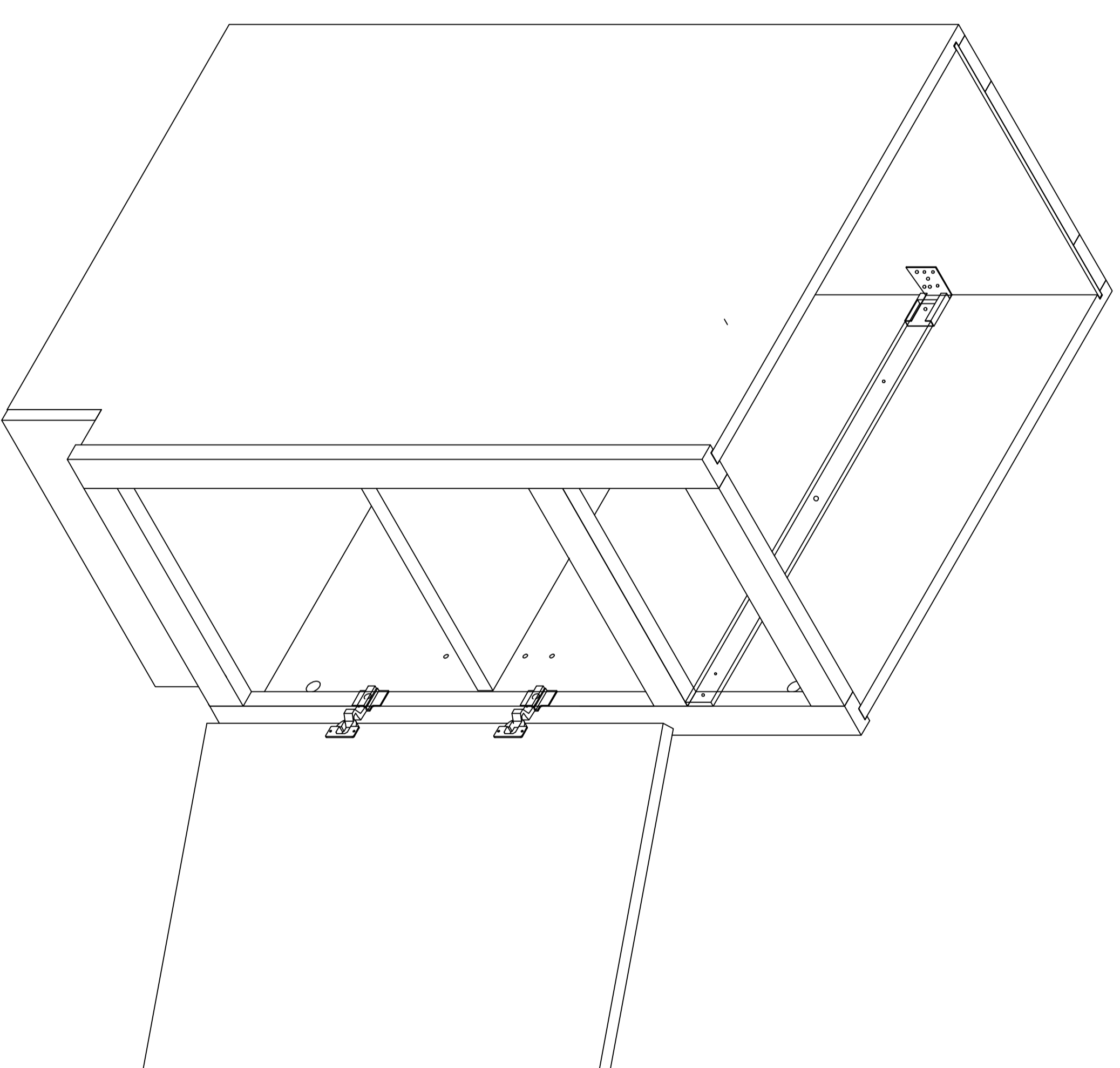
(2)



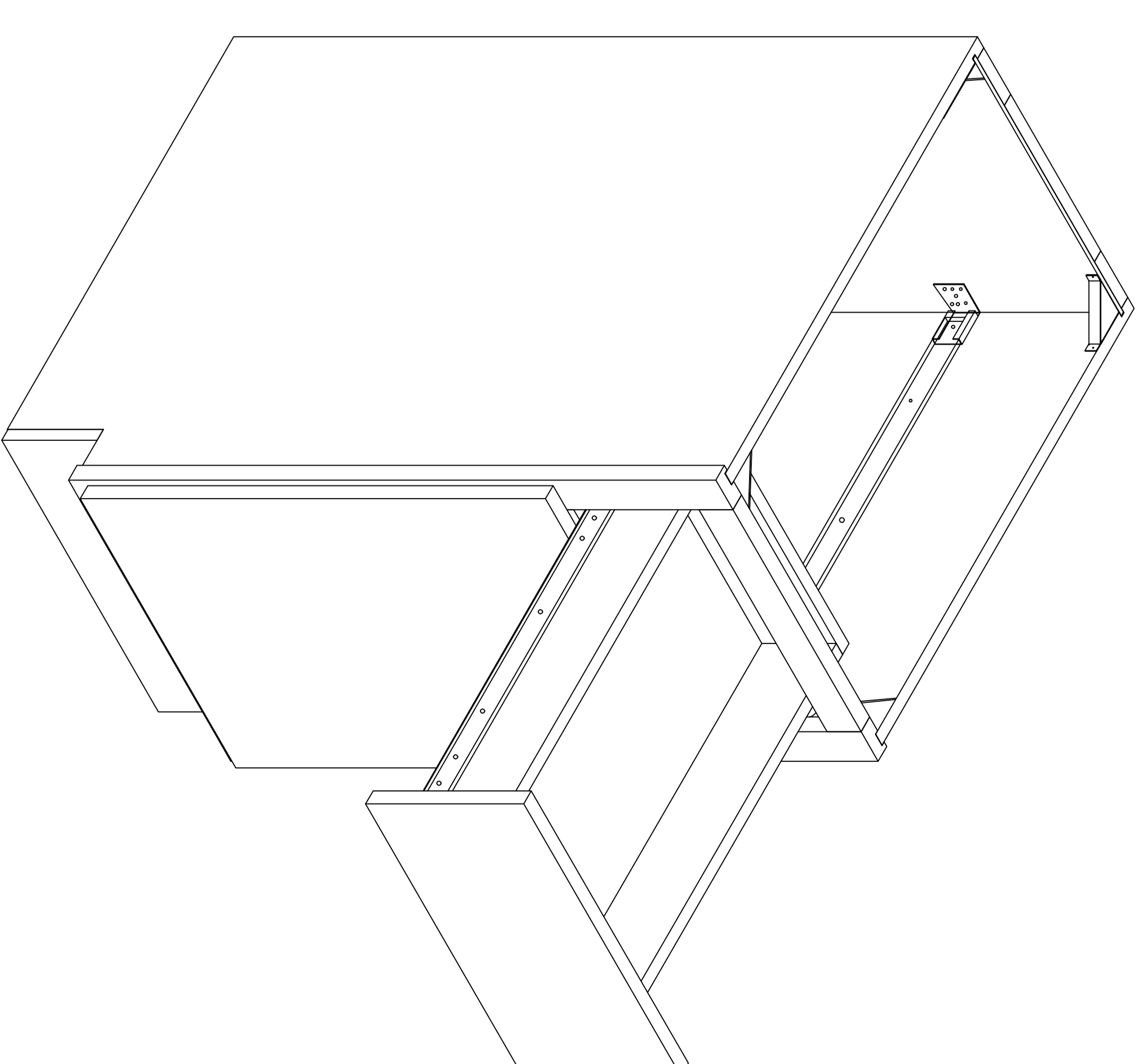
(3)



(4)



(5)



(6)

DIAGRAM	CONNECTING FITTINGS	QTY
	CAM LOCK SYSTEM	14
	CAM LOCK SYSTEM	14
	SHELF SUPPORT	4
	SLIDE RAIL	2
	CORNER BRACES	4
	CORNER BRACES SCREWS ( $\phi$ 3*12mm)	8
	BACK PANEL SCREWS ( $\phi$ 3*25mm)	1-3
	DOOR HINGE	2
	HINGE SCREWS ( $\phi$ 4*14mm)	4
	HINGE SCREWS ( $\phi$ 4*16mm)	2